

# Technical data sheet

## Product features



### Pot and pan washer double skin 70x70 - 400 V

<b>Model</b>	<b>SAP Code</b>	00011972
S 202 ABT	<b>A group of articles - web</b>	Undercounter, continuous and black ware dishwasher



- To the product for free: 1x RM Clean+ 12 kg (00012271) and 1x RM Rinse+ 10 kg (00012273)
- Display type: LCD multifunction display
- Number of programs: 8
- Number of skin: 2
- Door clear height [mm]: 850
- Rack size [mm]: 700 x 700
- Drain pump: No
- Water consumption of the washing cycle [l/basket]: 4
- Washing cycle time [s/basket]: 120-240-360-720 sec.
- Detergent and rinse pump system: ProDose - accurate dosing with a peristaltic pump
- Wash pump type: two-way - DuoFlow
- Self-cleaning cycle: Yes
- Drain filter: ArchiMedes - double filtration with overflow discharge ensures only 18% loss of clean water to waste

<b>SAP Code</b>	00011972	<b>Boiler power [kW]</b>	8.000
<b>Net Width [mm]</b>	850	<b>Basin volume [l]</b>	68
<b>Net Depth [mm]</b>	850	<b>Tank power [kW]</b>	8.000
<b>Net Height [mm]</b>	1930	<b>Water consumption of the washing cycle [l/basket]</b>	4
<b>Net Weight [kg]</b>	181.00	<b>Washing cycle time [s/basket]</b>	120-240-360-720 sec.
<b>Power electric [kW]</b>	18.700	<b>Door clear height [mm]</b>	850
<b>Loading</b>	400 V / 3N - 50 Hz	<b>Rack size [mm]</b>	700 x 700
<b>Boiler capacity [ l ]</b>	12.00		

# Technical data sheet

Technical drawing



## Pot and pan washer double skin 70x70 - 400 V

Model

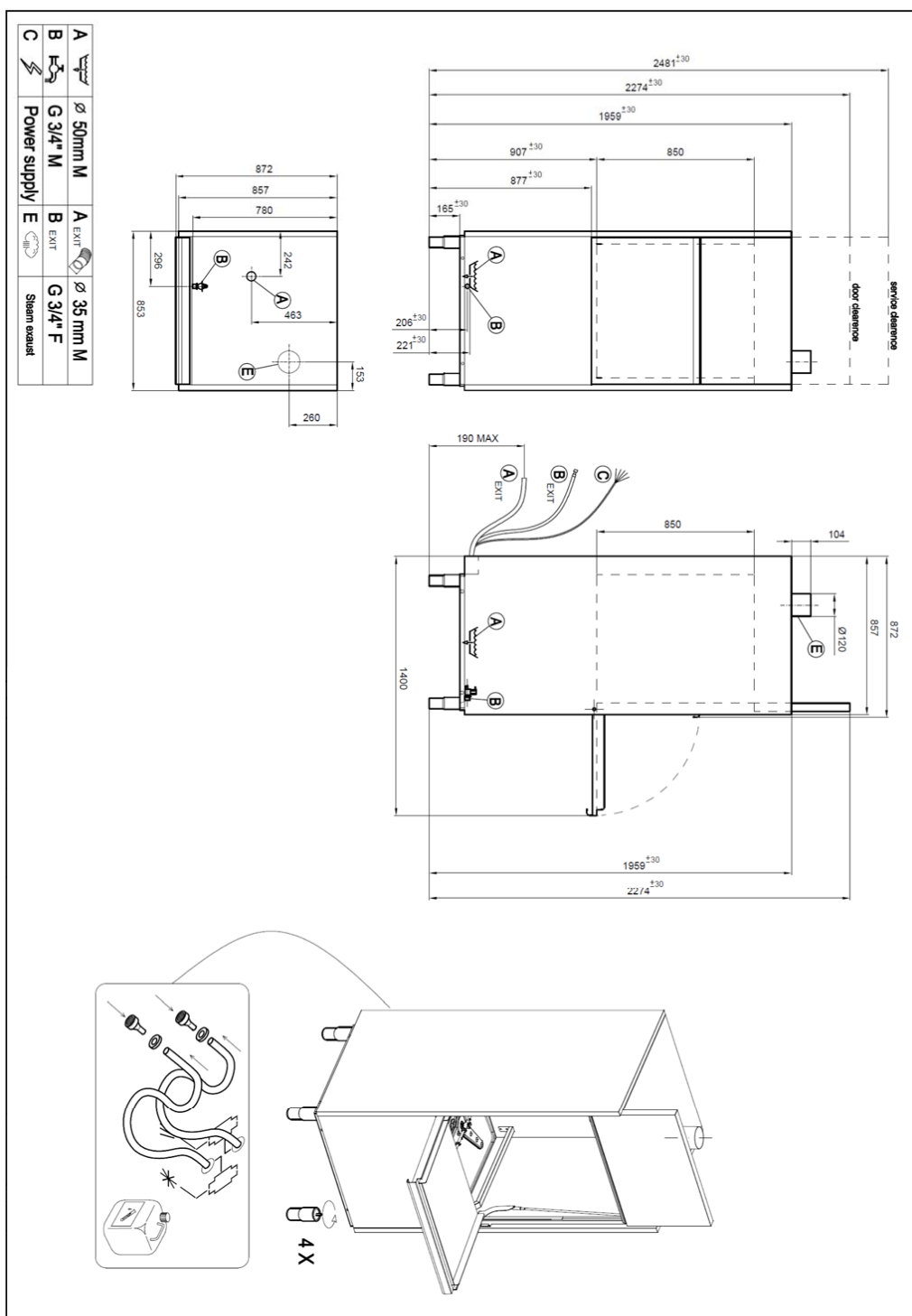
SAP Code

00011972

S 202 ABT

A group of articles - web

Undercounter, continuous and black ware dishwasher



# Technical data sheet

## Product benefits



### Pot and pan washer double skin 70x70 - 400 V

<b>Model</b>	<b>SAP Code</b>	00011972
S 202 ABT	<b>A group of articles - web</b>	Undercounter, continuous and black ware dishwasher

**1** **Stainless steel outer shell construction**  
round construction with stainless steel, rounded edges, Deep-drawn bathtub  
– easy cleaning, high hygiene standard, long service life

**2** **Stainless steel washing arms**  
upper and lower arms with stainless steel, separated for washing and rinsing, triple upper arm  
– easy and safe handling during cleaning; higher user comfort

**3** **LED Display**  
smartScreen, a large color graphic display showing the washing progress  
– easy control of the dishwasher operation  
– continuous information on the status of the wash cycle  
– diagnostics in the event of a fault

**4** **Double pump**  
unique two-way DuoFlow pump  
– distributes the water pressure evenly between the upper and lower arms; no noise; allows the use of a weaker pump

**5** **Detergent dispensers**  
two detergent and rinse aid dispensers  
– precise chemical dosing by ProDose - precise dosing system for detergent and rinse aid by peristaltic pump setting of values via control panel

**6** **Double filter system**  
the chamber filter and the waste filter together with the ArchiMedes system provide a discharge system with increased water purification efficiency  
– higher washing efficiency; longer life of the washing bath

**7** **Energy saving**  
energy saving energy saving system due to lowering the temperature of the boiler  
– cost saving

**8** **Protection of fragile dishes**  
softstart system for gradual start of washing programs to protect fragile dishes  
– protects stemmed glasses and other fragile utensils

**9** **Double shell construction**  
stainless steel construction with insulated double jacket  
– quiet operation  
– energy saving

**10** **Fast heating**  
performance management allows the current running of the boiler and basins body  
– quick first warm-up of the dishwasher  
– smooth operation

**11** **Air break tank**  
the open system of the boiler rinse, in cooperation with the rinse pump, ensures a constant pressure and temperature of the rinse  
– possibility to use in HACCP systems water temperature suitable for sterilization

# Technical data sheet

Technical parameters



## Pot and pan washer double skin 70x70 - 400 V

<b>Model</b>	<b>SAP Code</b>	00011972
S 202 ABT	<b>A group of articles - web</b>	Undercounter, continuous and black ware dishwasher

**1. SAP Code:**

00011972

**2. Net Width [mm]:**

850

**3. Net Depth [mm]:**

850

**4. Net Height [mm]:**

1930

**5. Net Weight [kg]:**

181.00

**6. Gross Width [mm]:**

1000

**7. Gross depth [mm]:**

950

**8. Gross Height [mm]:**

2200

**9. Gross Weight [kg]:**

191.00

**10. Device type:**

Electric unit

**11. Control type:**

Digital

**12. Material:**

AISI 304

**13. Power electric [kW]:**

18.700

**14. Loading:**

400 V / 3N - 50 Hz

**15. Number of programs:**

8

**16. Opening of device:**

Tilting down

**17. Door clear height [mm]:**

850

**18. Inlet pressure [bar]:**

1-6

**19. Adjustable feet:**

Yes

**20. Number of skin:**

2

**21. Self-cleaning cycle:**

Yes

**22. Boiler capacity [ l ]:**

12.00

**23. Boiler power [kW]:**

8.000

**24. Basin volume [l]:**

68

**25. Tank power [kW]:**

8.000

**26. Number of arms for both rinsing and washing:**

2

**27. Arm connection:**

Hand loosen/tighten screw

**28. Washing arm type:**

Rotating trident

# Technical data sheet

## Technical parameters



### Pot and pan washer double skin 70x70 - 400 V

<b>Model</b>	<b>SAP Code</b>	00011972
S 202 ABT	<b>A group of articles - web</b>	Undercounter, continuous and black ware dishwasher

#### 29. Washing arm material:

Stainless steel

#### 30. Atmospheric boiler with rinse pump:

Yes

#### 31. Rinsing arm type:

Rotating trident

#### 32. Rinsing arm material:

Stainless steel

#### 33. Deep drawn tank:

Yes

#### 34. Rack support:

Pressed

#### 35. Tank surface strainers:

stainless steel

#### 36. Drain filter:

ArchiMedes - double filtration with overflow discharge ensures only 18% loss of clean water to waste

#### 37. Thermostop:

Yes

#### 38. Boiler thermostat adjust:

Yes

#### 39. Detergent and rinse pump system:

ProDose - accurate dosing with a peristaltic pump

#### 40. Energy Saving system:

EnergySaving - Energy saving system due to lowering the boiler temperature

#### 41. Rinse system:

UltraRinse2 - stainless steel rinsing arms including stainless steel nozzles with a geometry for spraying water in thin jets directly against the dishes, the rinsing pump ensures constant pressure

#### 42. Heating system:

HotWash - System of simultaneous operation of the heating element of the bath and the boiler, reducing the time for starting the next cycle

#### 43. Quick heating system:

QuickReady - System for rapid heating of water in the tank

#### 44. Hot water electric valve:

Yes

#### 45. Closing door system:

ProSoft - Reduces noise, dampens the door stop, which could cause damage to dishes

#### 46. Rack size [mm]:

700 x 700

#### 47. Display type:

LCD multifunction display

#### 48. USB port:

Yes, for Firmware actualisation

#### 49. Drain pump:

No

#### 50. Self-diagnostics:

Yes

# Technical data sheet

Technical parameters



## Pot and pan washer double skin 70x70 - 400 V

<b>Model</b>	<b>SAP Code</b>	00011972
S 202 ABT	<b>A group of articles - web</b>	Undercounter, continuous and black ware dishwasher

**51. Wash pump type:**

two-way - DuoFlow

**52. Detergent dispenser:**

Yes

**53. Rinse aid dispenser:**

Yes

**54. Water consumption of the washing cycle [l/basket]:**

4

**55. Washing cycle time [s/basket]:**

120-240-360-720 sec.

**56. Rinse water temperature [°C]:**

80-85

**57. Additional information:**

Also possible: 230 V / 3N or 230 V / 1N (must be specified when ordering)

**58. Program ProFessional 2:**

Yes

**59. Program ProFessional 4:**

Yes

**60. Program ProFessional 6:**

Yes

**61. Program ProFessional 8:**

Yes

**62. Program ProFessional 10:**

Yes

**63. Program ProSelf:**

Yes

**64. Program ProEco:**

Yes

**65. Program ProLong:**

Yes

**66. Cross-section of conductors CU [mm<sup>2</sup>]:**

5

**67. Water supply connection:**

3/4"

**68. Diameter nominal:**

DN 50